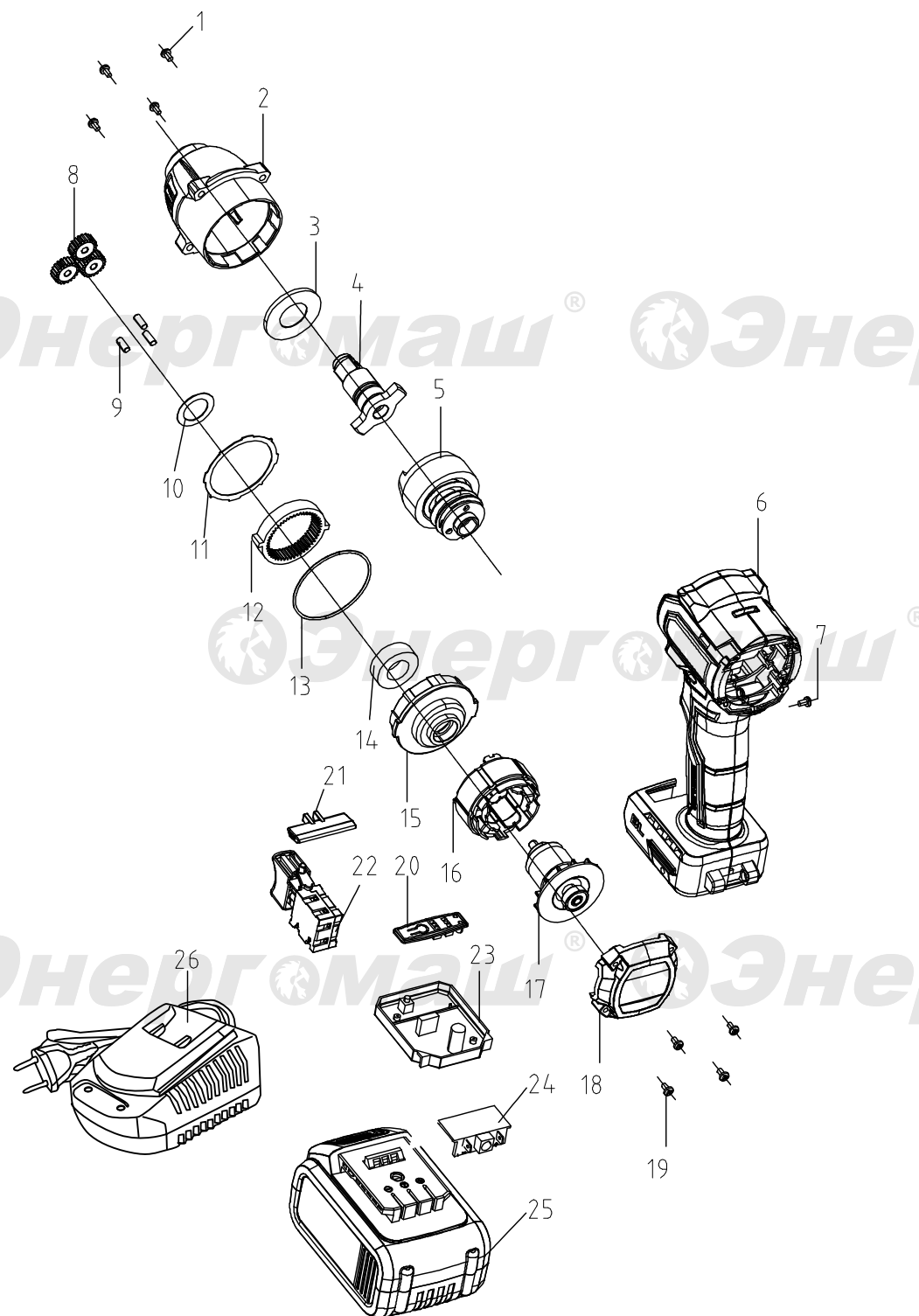


ГА-350



NO	DESCRIPTION
1	SCREW ST4.2X20
2	GEAR BOX
3	WASHER $\Phi 19.5 \times \Phi 37.5 \times 3$
4	OUTPUT SHAFT
5	IMPACT BLOCK ASSEMBLY
6	HOUSING
7	SCREW ST3X14
8	PLANET GEAR
9	PIN $\Phi 4 \times 10$
10	WASHER
11	GEAR RING WASHER
12	GEAR RING
13	O-RING
14	BEARING 6902RS
15	GEAR RING COVER
16	STATOR
17	ROTOR
18	REAR COVER
19	SCREW ST3X16
20	SPEED CONTROL BUTTON
21	DIRECTION SWITCH
22	SWITCH
23	MOTOR PCB
24	CONNECTION FOOT
25	BATTERY PACK
26	CHARGER

GA-350-EX-RU240903-1